

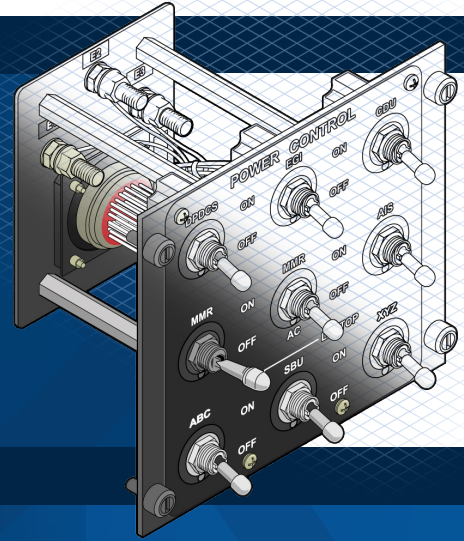


Mission

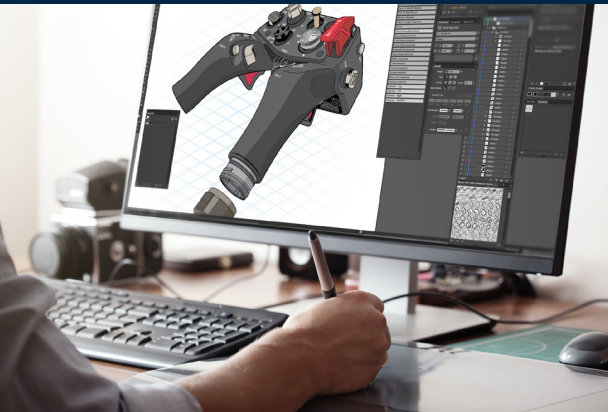
GTMR's Innovative Interactive Technologies branch develops the highest quality technical data solutions for our DoD and Commercial Industry partners with a focus on customer involvement to define requirements, processes and procedures.

Products and services include:

- Interactive Technical Manual Development and Conversion
- Engineering Support
- Technical Data Package Development and Sustainment
- Maintenance and Operations Training Development



The Team



The team includes Subject Matter Experts, Technical Writers, Curriculum Developers, Illustrators, Multimedia Designers as well as Quality Assurance Experts. We provide Data Authoring services in any format, from WORD to FRAME to XML/SGML, published manuals, PDF, ETM/IETM, etc. and trained in the latest applications including:

- Adobe® Creative Suite®
- PTC® Arbortext IsoDraw®
- PTC® CREO™
- SOLIDWORKS®
- Maya Autodesk®
- AutoCAD®

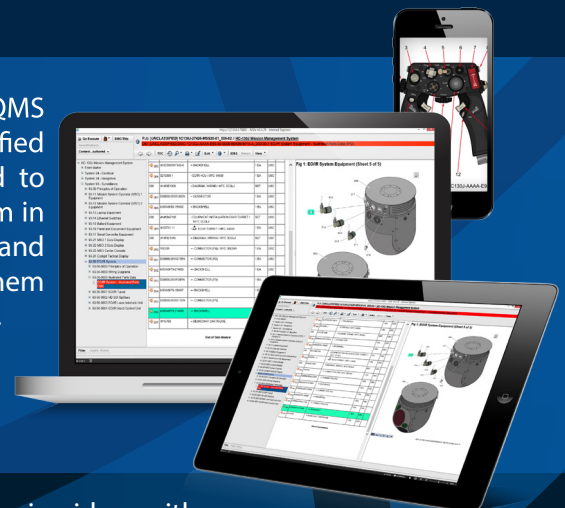
Technical Data Authoring

The GTMR staff of experienced professional Technical Writers and IETM Developers are fully trained to develop and convert organizational, intermediate, and depot level maintenance and training manuals. Our professionals bring a wealth of experience authoring and developing in a number of formats, including S1000D.

The Quality Management System

GTMR has established, documented, and implemented a highly effective QMS as a means of ensuring that its products and services conform to specified requirements, to foster an environment of continual improvement and to identify its position as a leading engineering and technical publication firm in the Defense and Commercial industries. The QMS is comprised of the Core and Support Business Processes that take market opportunities and converts them into value-added outputs to satisfy our customers' needs and expectations.

The GTMR, Inc. Innovative Interactive Technology team consults and works with clients to deliver and institute the S1000D practices.



As a partner we'll proudly share our innovative cost saving ideas with you.

Learn more at gtmrinc.com